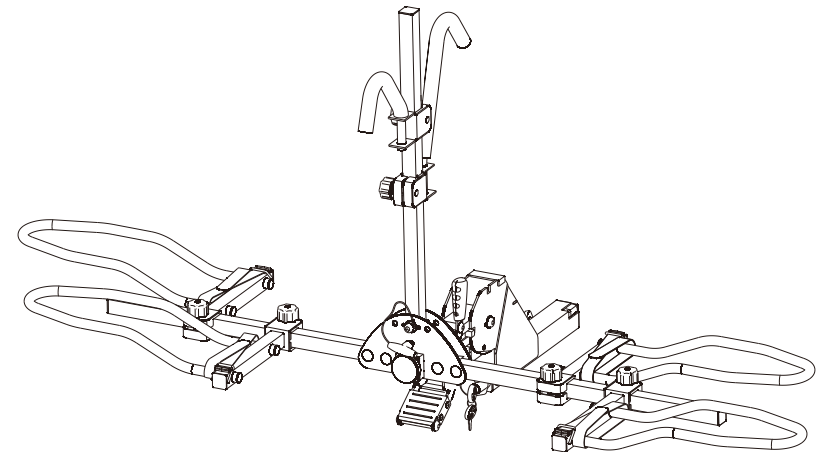


# JupiterBike

Hitch Mounted Foldable Bike Rack Platform  
Style (2 Bike) w/Built-in Anti-Wobble Lock  
and Quick Release System

OWNER'S MANUAL



**⚠ WARNING:**

Manufacturer and seller expressly disclaim any and all liability for personal injury, property damage or loss, whether direct, indirect, or incidental, resulting from the incorrect attachment, improper use, inadequate maintenance, unapproved modification, or neglect of this product.

Item# LP33

Thank you for purchasing our product.

This manual covers operation and maintenance information about the product. Read carefully and understand all instruction before using the product.

All information in this publication is based on the latest product information available at the time of approval for printing.

We reserve the right to make changes at any time without notice and without any obligation.

## Table of Contents

Warning and Precaution .....	03
Product Specification .....	03
Hardware list .....	04-05
Assembly Instruction .....	06-13
User Instruction .....	14-18

## READ ALL INSTRUCTION BEFORE USE

### ⚠ WARNING! CAUTION!

- Inspect the product before use. Do not use if damaged or with missing parts.
- Do not use the product for anything other than intended use.
- Do not exceed the maximum load capacity of the hitch rating, vehicle load limit, or more than 2 bikes.
- Always distribute the weight on the rack evenly.
- Ensure the rack and the load do not block taillight or any vehicle safety equipment.
- Always ensure the loads on the rack and check frequently.
- Make sure all pins are secured before use.
- Apply reflector on the end of the carrier according to your state, or local vehicle regulation.

There are small components used in the construction of this product. Loose items should be kept away from pets and children to avoid a choking hazard.

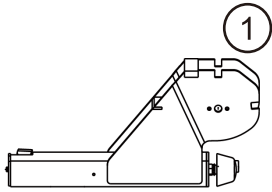
Keep all plastic bags and packaging film away from pets and children to avoid suffocation.

## SAVE THESE INSTRUCTIONS

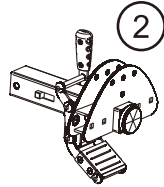
## SPECIFICATION

Model Number	LP33
Load Capacity	2 bikes
	160 lbs
Fitting	Fit 2" steel hitch tube

PACKAGE CONTENT



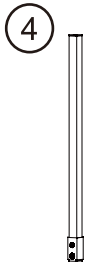
Folding Bracket  
1x



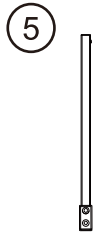
Connecting Bracket  
1x



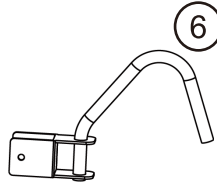
Red Pin  
1x



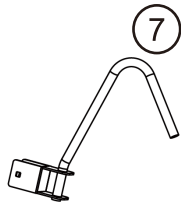
Vertical Tube  
1x



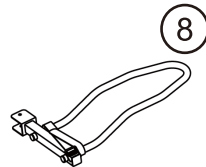
Horizontal Tube  
2x



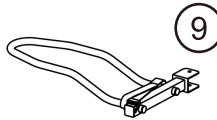
Short Hook  
1x



Long Hook  
1x

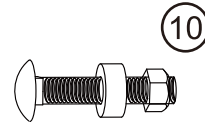


Wheel Holder-L  
2x

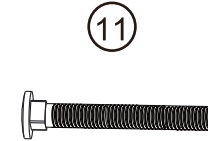


Wheel Holder-R  
2x

PACKAGE CONTENT



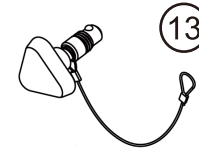
M10x60 Bolt 4x  
10 Flat Washer 4x  
M10 Lock Nut 4x



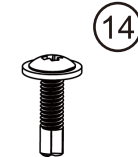
M8x60 Bolt 6x



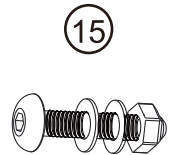
Knob 6x



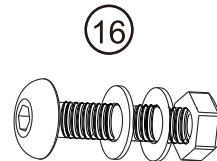
Triangle Pin 1x



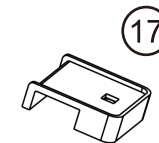
M4x15 Screw 1x



M10x60 Bolt 1x  
10 Flat Washer 2x  
M10 Lock Nut 1x



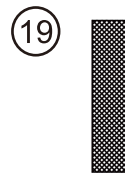
M12x80 Bolt 1x  
12 Flat Washer 2x  
M12 Lock Nut 1x



Clamping Mount 12x



Tie Down Strap 1x



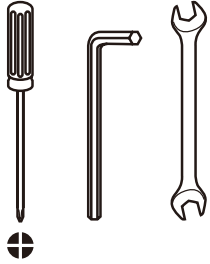
Reflector Sticker 3x



Key 1x

**ASSEMBLY INSTRUCTION**

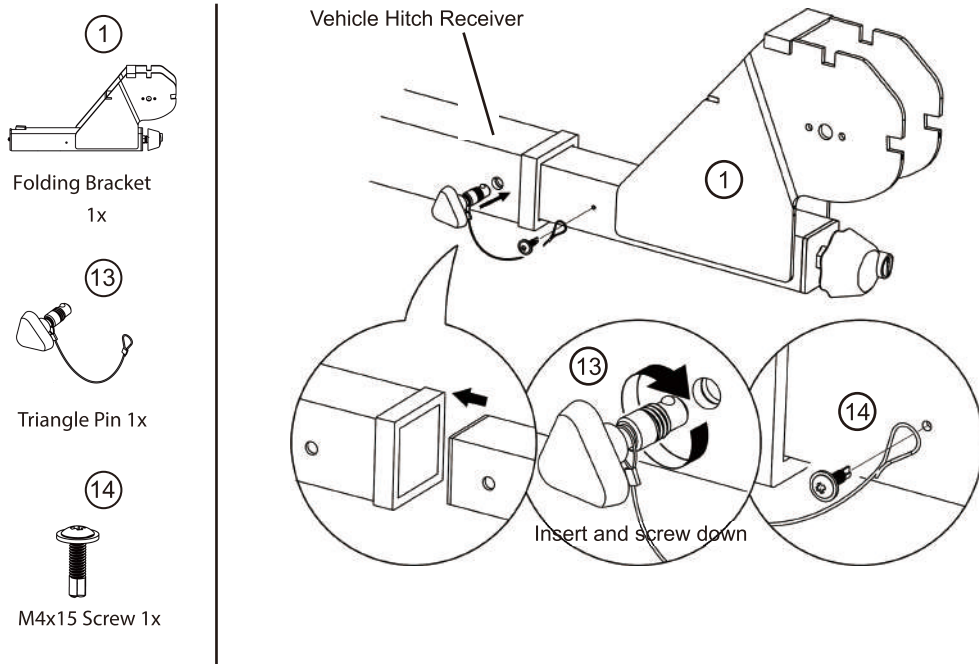
**Required Tools (Not Included)**



**ASSEMBLY INSTRUCTION**

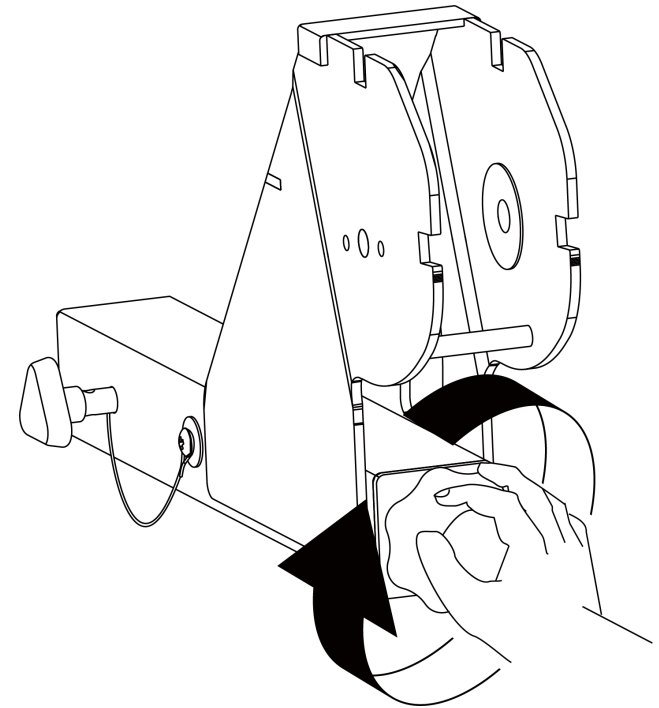
NOTE: The nuts supplied with the rack have nylon thread locker at the end of each nut. Once the threads of the bolt reach the thread locker, you will feel resistance as you tighten the nut and bolt. Continue to tighten until it is secured.

- 1 Insert the folding bracket (1) into your vehicle hitch receiver, and then secure it in place with the triangle pin (13). Attach the attachment cable of the triangle pin to the folding bracket with M4x15 screw (14).



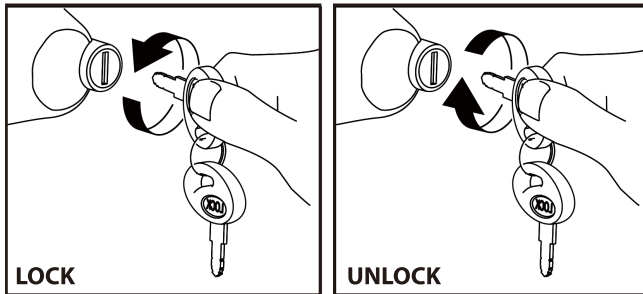
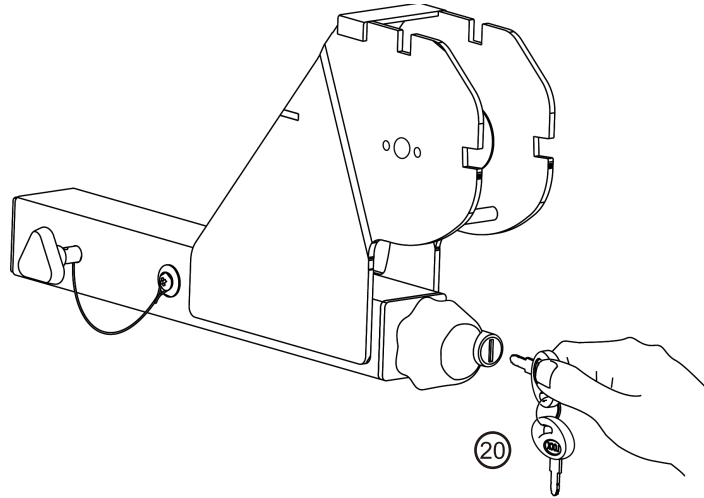
**ASSEMBLY INSTRUCTION**

- 2 Tighten the knob and make sure the bracket is tightly fit into the vehicle hitch receiver.



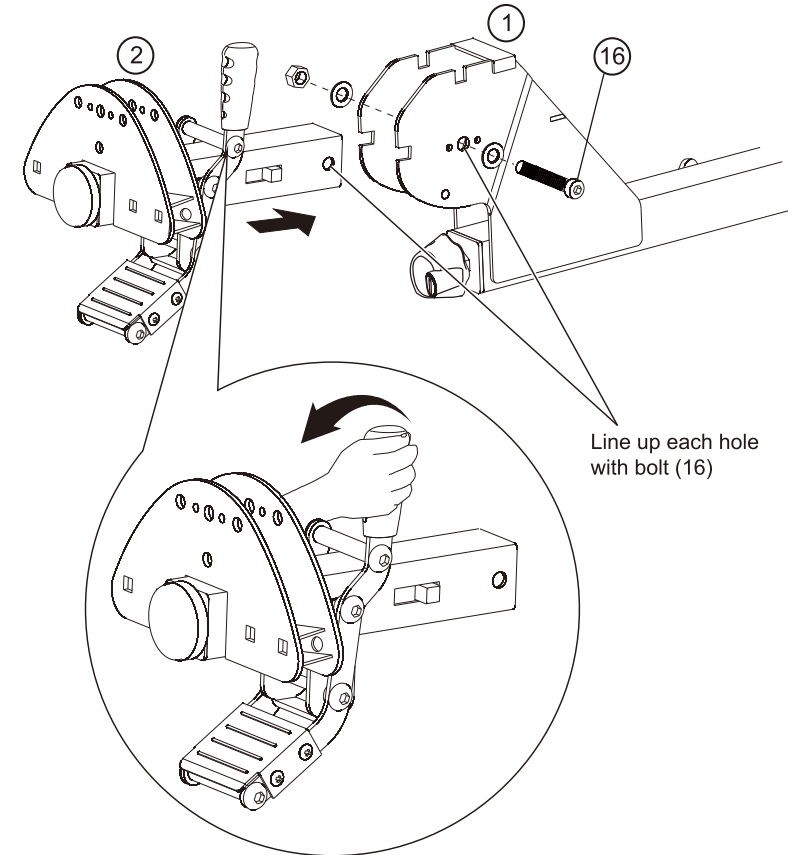
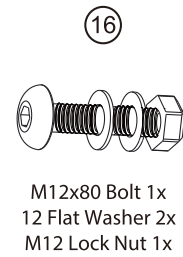
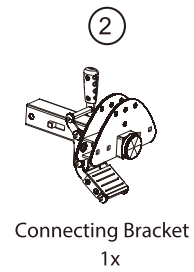
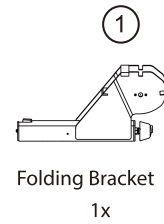
## ASSEMBLY INSTRUCTION

- 3** Lock the anti-theft system on the folding bracket knob.  
NOTE: Remove the key before moving or adjusting the bike rack.



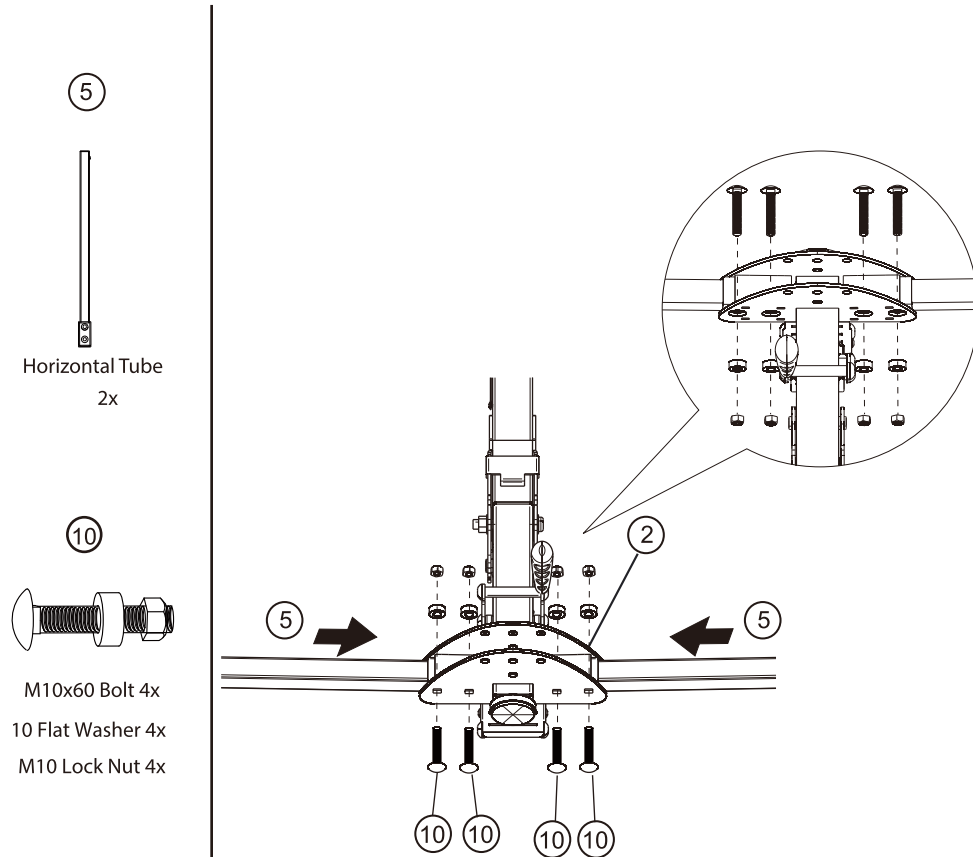
## ASSEMBLY INSTRUCTION

- 4** Pull the handle on the connecting bracket (2) and insert it into the folding bracket (1).  
Insert M12 x 80 bolt (16) to hold it in place.



## ASSEMBLY INSTRUCTION

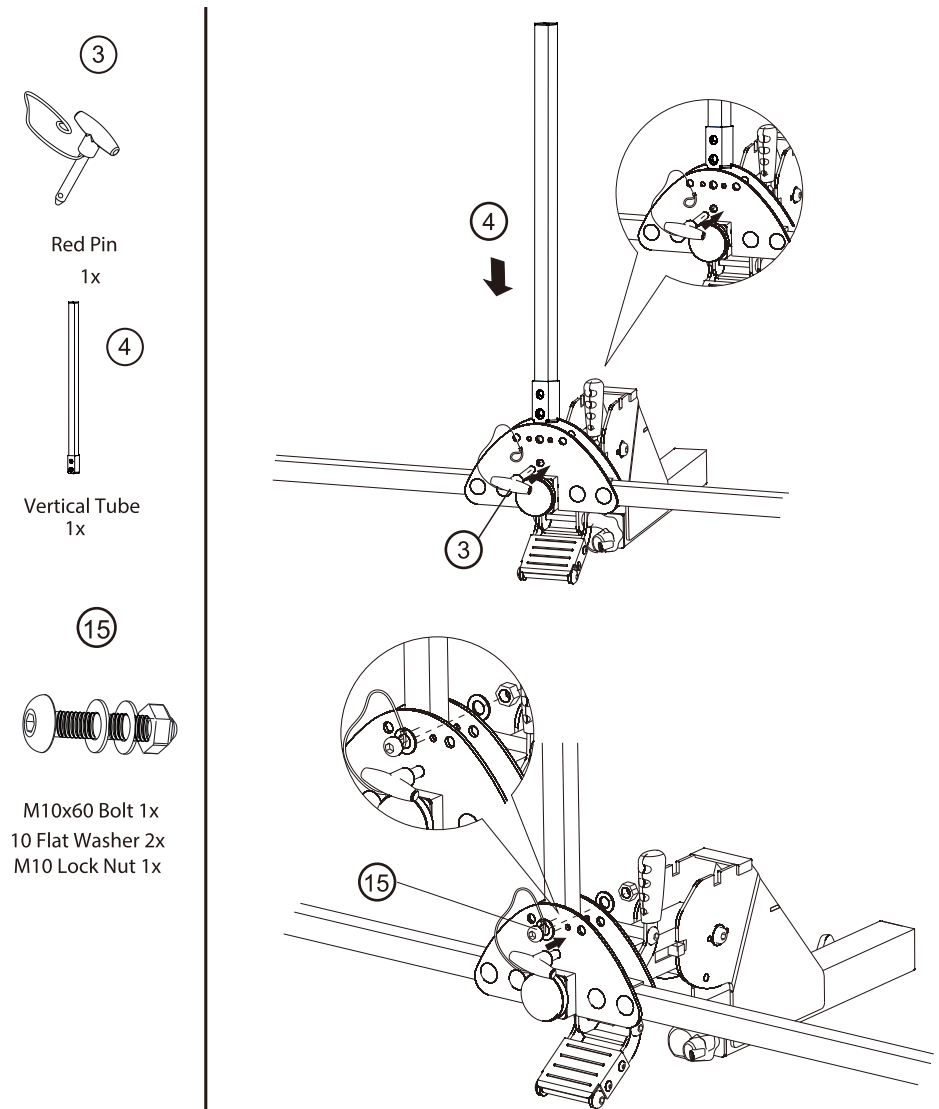
- 5** Assemble horizontal tubes (5) to the side of the connecting bracket (2).



10

## ASSEMBLY INSTRUCTION

- 6** Install the red pin (3) through the top hole in connecting bracket (2) and the tube (4). Use bolt (15) to cover the pull rope of red pin (3) according to the figure, and tighten the bolt securely using wrench.



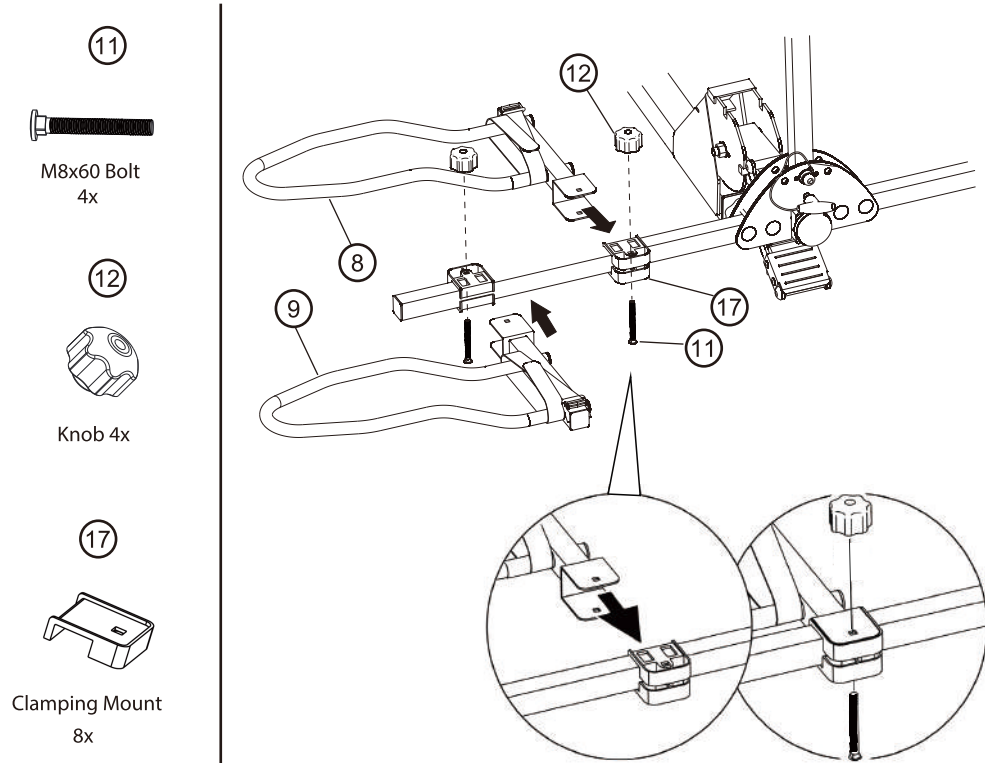
11

**ASSEMBLY INSTRUCTION**

**7** Assemble wheel holders (8, 9) and clamping mounts (17) to both horizontal tubes. Lock the wheel holders in place with M8 x 60 bolt (11) and lock knob (12).

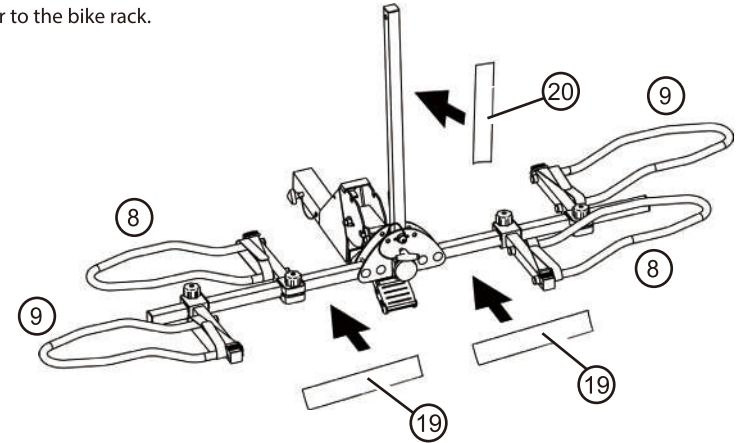
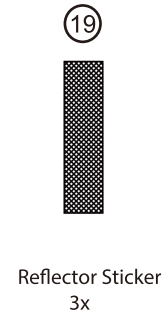
Make sure each screws are securely tighten before use.

**⚠ ATTENTION!** Make sure each screws are securely tighten before use.



**ASSEMBLY INSTRUCTION**

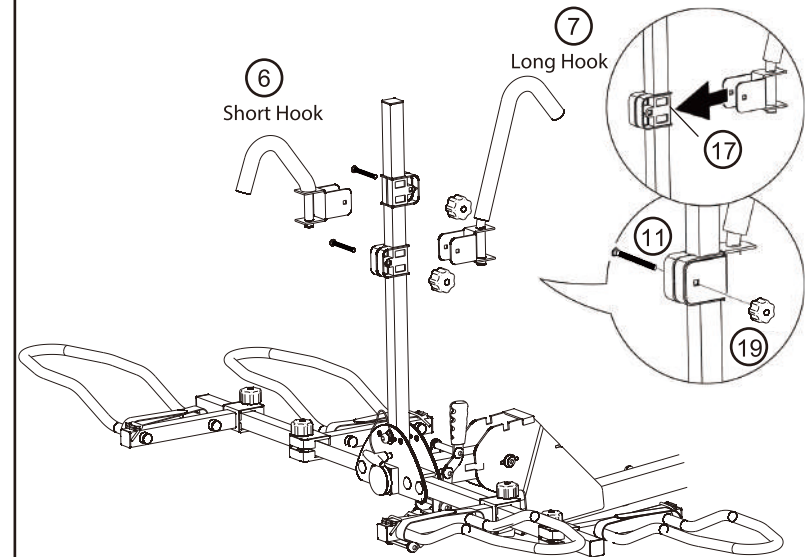
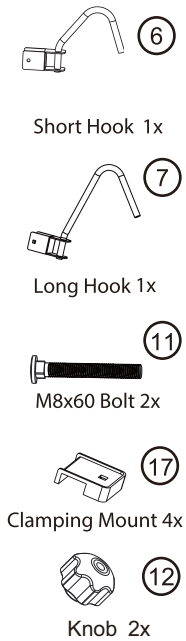
**8** Apply reflector to the bike rack.



**⚠ ATTENTION!** Check federal, state, and local vehicle regulation when applying reflector. Made sure the application meets the requirement.

**9**

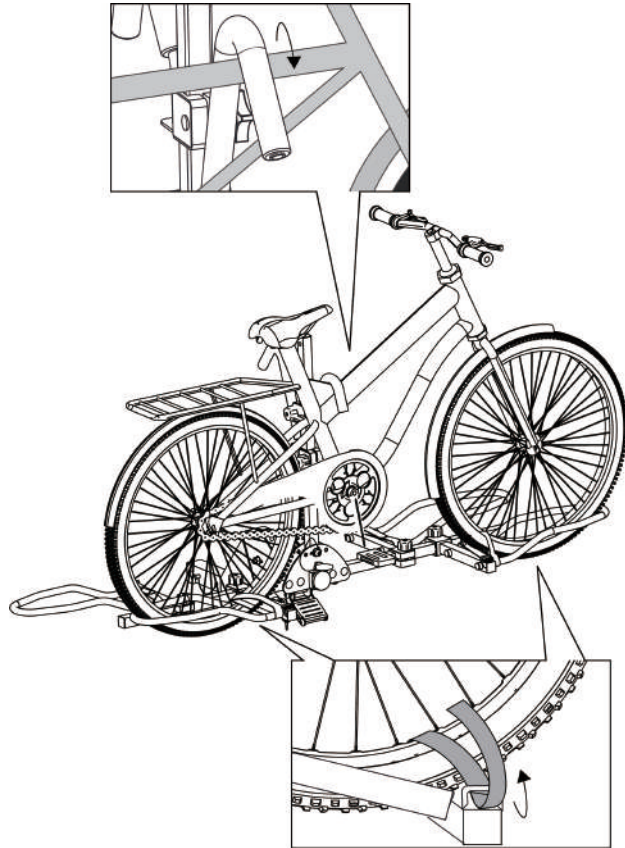
Assemble hook(6, 7)and clamping mount (17)to the tubes (4). Lock the hooks in place with M8x60 bolt(11) and lock knob(12).



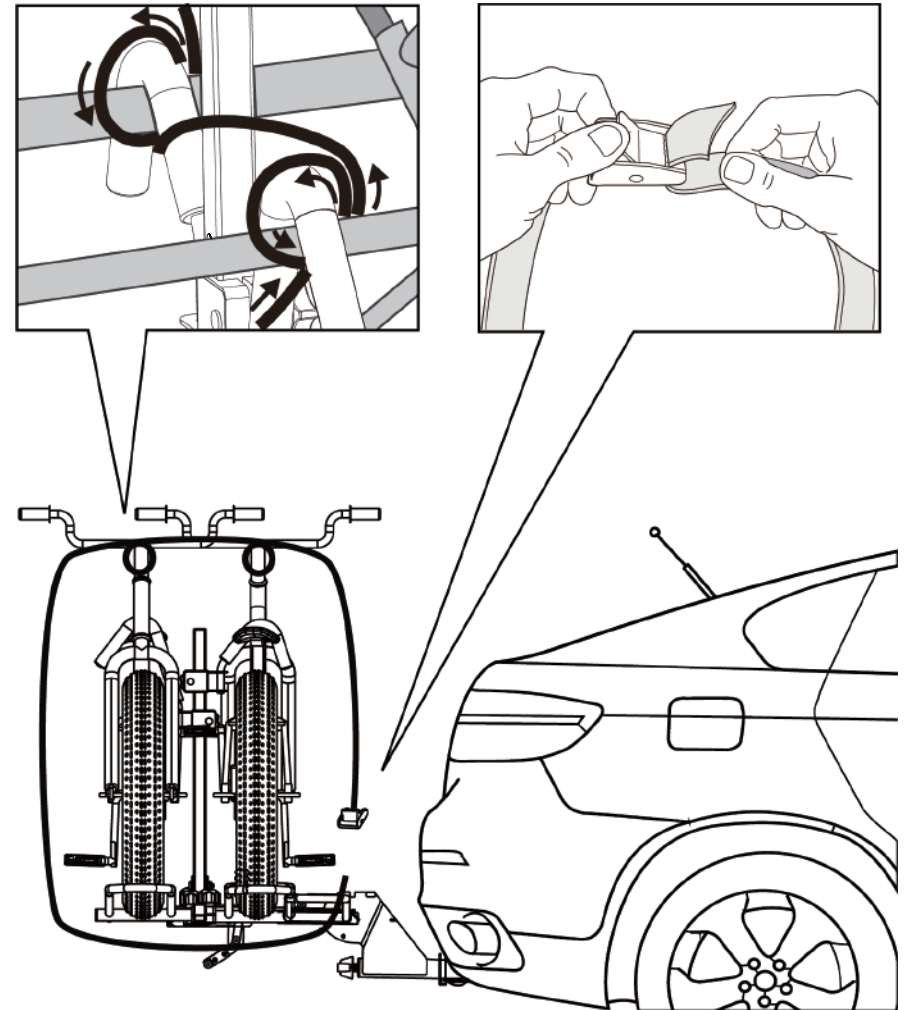
NOTE: The long hook (7) must be assembled below the short hook (6).

**USER INSTRUCTION****LOADING THE BIKES**

Adjust the wheel holder (8,9) in position, and put the bike on the rack. Make sure the padded hooks (6,7) are pressing on the bike frames, so that bikes are held tightly. Then, secure the bike wheels on the wheel holder with safety straps.

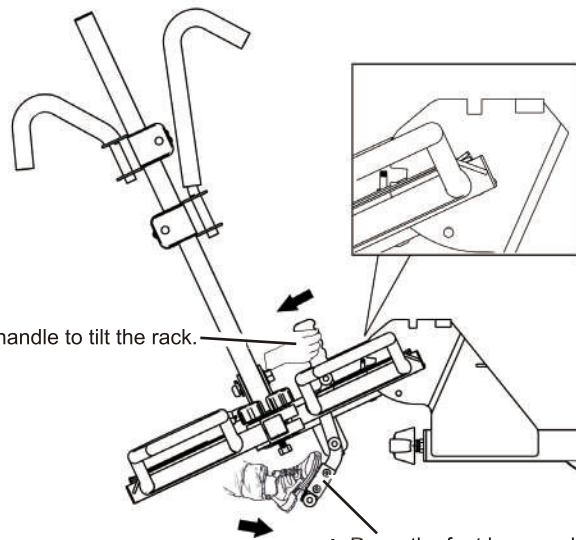
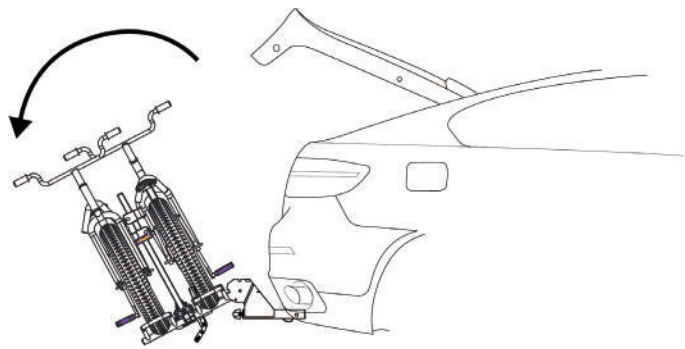
**⚠ ATTENTION!**

- Bikes must be securely strapped on the rack during transportation.
- Locking knobs must be tightened after adjusting the position of the hooks.
- Load the heavier bike closer to the vehicle. Make sure the total weight of the bike load is within the weight capacity of the rack or that of the vehicle.

**USER INSTRUCTION**

NOTE: Use tie-down strap to tie the bike to the bike rack to provide extra security.

## USER INSTRUCTION



2. Pull the handle to tilt the rack.

1. Press the foot lever pedal to release the catch.

Tilt the rack forward for easier vehicle trunk access.

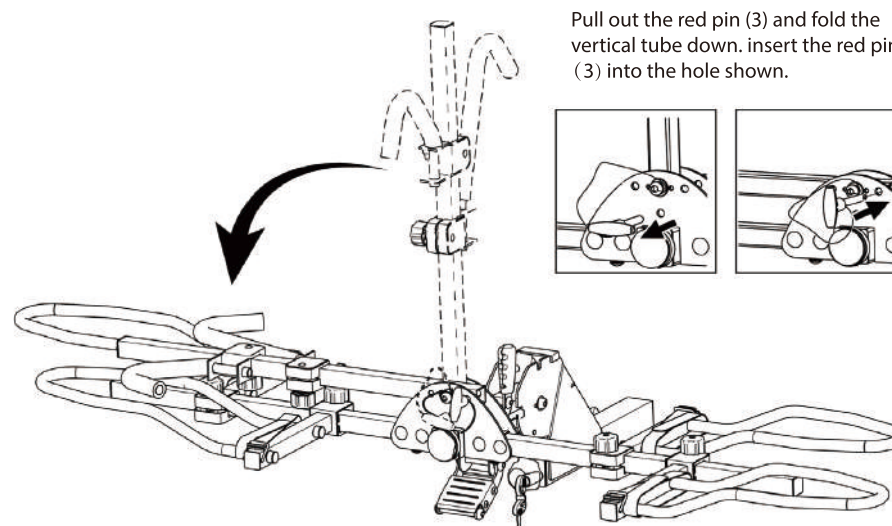
**⚠ ATTENTION! WARNING!**

- Tilt the rack slowly and make sure there are enough clearance for the vehicle trunk to open.
- Always return the rack to the level position after using the tilt function.
- It is recommended to unload the bike from the rack before tilting the rack.

## USER INSTRUCTION

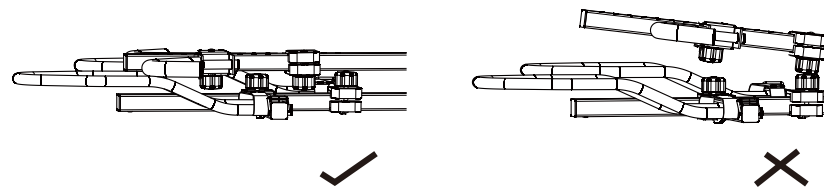
## Fold up function

Pull out the red pin(3) and fold the vertical tube(4) down first, then insert the pin to the Horizontal position.



Pull out the red pin (3) and fold the vertical tube down. insert the red pin (3) into the hole shown.

\*Beware of the knobs and hooks on the Horizontal position when you fold.



## USER INSTRUCTION

Pull the handle on the connecting bracket and then fold up the bike rack.

### **ATTENTION! WARNING!**

- Make sure the rack is install to the car receiver properly to prevent the rack falling off the vehicle and creating potential road hazard.

